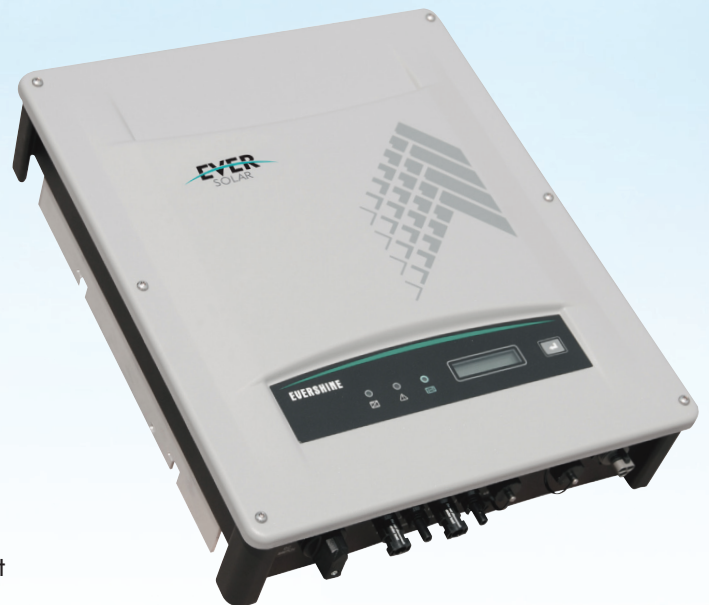


PV GRID-CONNECTED INVERTER

Evershine TL 3000/4000/5000

FEATURES

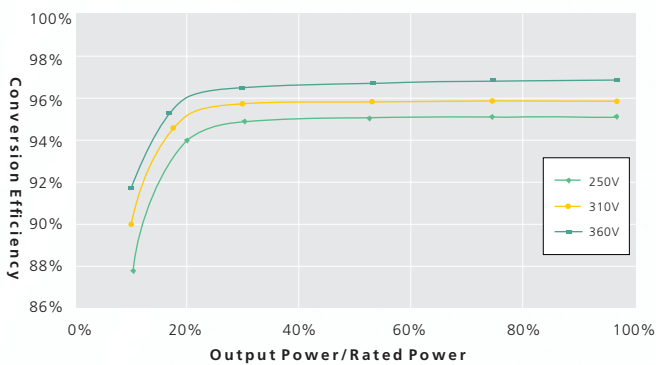
- Dual MPP trackers allow more energy harvesting
- High performance in the shadow perfect
- Wide range of DC input and MPPT voltage
- Maximum MPPT efficiency of 99.9%
- Perfect protection for safety
- Multiple monitor mode
- Software updates via USB
- Lightweight, easy installation and maintenance
- Display optional: 1. Backlight, 16 x 2 Character LCD
2. Graphic LCD display, visible at night



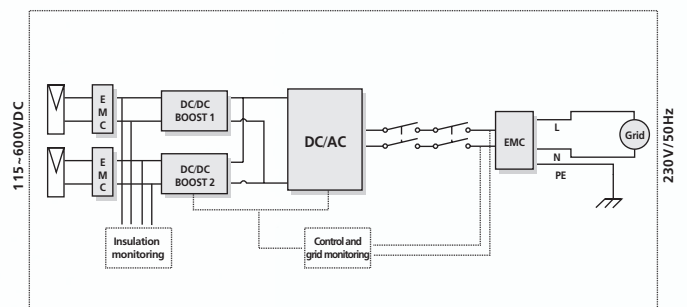
ENEL Guida G59/2 C E RD1663



EFFICIENCY CURVE



CIRCUIT DIAGRAM



	TL 3000	TL 4000	TL 5000
DC INPUT DATA			
Max. PV-generator power [W]	3500	4600	5800
Max DC voltage [V]	600	600	600
MPPT voltage range [V]	125-520	125-520	125-520
Turn-off DC voltage [V]	125	125	125
Max. DC current [A]	12/12	12/12	12/12
Number of DC connection	1/1	1/1	2/2
Number of MPP trackers	2	2	2
MPPT special property	Shadow effect and working stable in the condition of two MPP trackers working together		
Turn-on power [W]		10	
DC-switch		Optional	
OUTPUT DATA			
AC connector		Spring-clamp tech	
Power connection		Single phase	
Rated AC power [W]	3000	4000	4600 (only for Germany)/5000
Max. AC power [W]	3000	4000	4600 (only for Germany)/5000
Grid voltage range	According to VDE-AR-N 4105, IEEE1547, IEEE1547.1, G59/2, ENEL Guida, AS4777,		
Grid frequency range	and safety regulation of other Europe countries		
Rated current [A]	13	16	22
Max. current [A]	15	20	25
Power factor		0.95 leading...0.95 lagging	
Harmonic distortion (THD) at rated output	<2%	<2%	<2%
Power consumption at night [W]	<1	<1	<1
Power consumption at standby [W]	6	6	6
EFFICIENCY			
Max. efficiency		97.00%	
Euro efficiency		96.50%	
MPPT adaptation efficiency		99.90%	
SAFETY EQUIPMENT			
Internal overvoltage protection		Integrated	
DC insulation monitoring		Integrated	
Earth fault protection		Integrated	
Mains monitoring		Integrated	
Earth fault current monitoring		Integrated	
DC current monitoring		Integrated	
Islanding effect monitoring		AFD	
Safety requirement	VDE-AR-N 4105, IEEE1547, G59/2, AS4777, ENEL Guida RD1663, CQC, CE, G83/1		
GENERAL DATA			
Dimensions (WxHxD) [mm]		405*480*200	
Weight [kg]	18.5	18.5	20
Mounting information		Wall Bracket	
Operating temperature range		-25°C ...+60°C up (45°C derating)	
Relative humidity		0% - 98%, no condensation	
Site altitude		Up to 2000m without derating above sea level	
IP protection type		IP 65 according to IEC 60529	
Isolation type		Transformerless	
Cooling concept		ConvectionFan Inside	
Noise level		<40 dBA	
LED display		3 and can see clearly 7 m away	
LCD display		Display with diagram, and can get power from AC	
Data logger		RS485 (Standard), Ethernet (Optional) and wireless (Optional)	
Update		USB	
Computer communication		USB (Standard), RS485 (Standard)	
Data record	The data can be recorded in the inverter, and the data can be exported through USB		
Modular Design	Realize modular design on display, control board, communication, SPS and so on		
Standard warranty (option)		5 years	